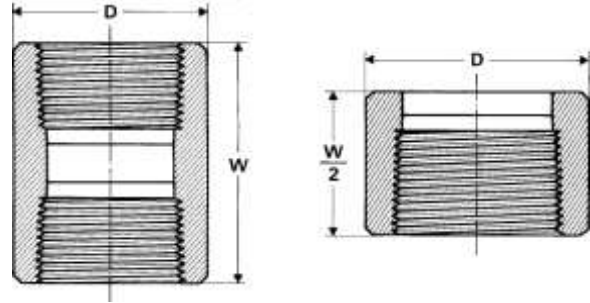




## Half & Full Couplings

3000 / 6000 Lbs

ANSI B 16.11

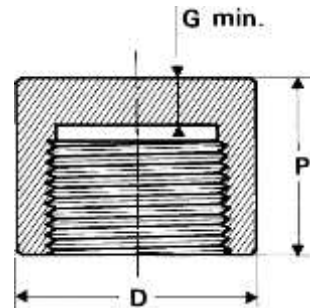


Nominal Pipe Size	3000				6000			
	W		D		W		D	
	mm	inches	mm	inches	mm	inches	mm	inches
1/4	35	1.38	19	0.75	35	1.38	25	1.00
3/8	38	1.50	22	0.88	38	1.50	32	1.25
1/2	48	1.88	29	1.12	48	1.88	38	1.50
3/4	51	2.00	35	1.38	51	2.00	44	1.75
1	60	2.38	44	1.75	60	2.38	57	2.25
1.1/4	67	2.62	57	2.25	67	2.62	64	2.50
1.1/2	79	3.12	64	2.50	79	3.12	76	3.00
2	86	3.38	76	3.00	86	3.38	92	3.62
2.1/2	92	3.62	92	3.62	92	3.62	108	4.25
3	108	4.25	108	4.25	108	4.25	127	5.00
4	121	4.75	140	5.50	121	4.75	159	6.25

## Caps

3000 / 6000 Lbs

ANSI B 16.11



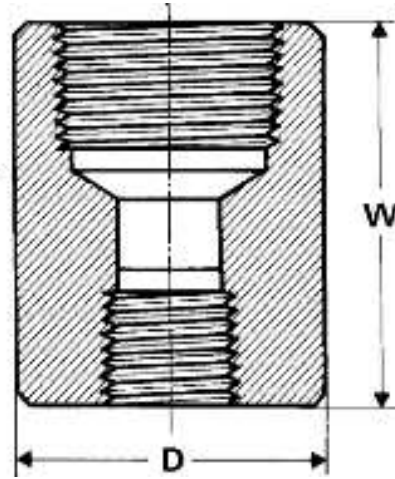
Nominal Pipe Size	3000						6000					
	P		D		G		P		D		G	
	mm	inches	mm	inches	mm	inches	mm	inches	mm	inches	mm	inches
1/4	25	1.00	19	0.75	5.0	0.19	27	1.06	25	1.00	6.5	0.25
3/8	25	1.00	22	0.88	5.0	0.19	27	1.06	32	1.25	6.5	0.25
1/2	32	1.25	29	1.12	6.5	0.25	33	1.31	38	1.50	8.0	0.31
3/4	37	1.44	35	1.38	6.5	0.25	38	1.50	44	1.75	8.0	0.31
1	41	1.62	44	1.75	9.5	0.38	43	1.69	57	2.25	11.0	0.44
1.1/4	44	1.75	57	2.25	9.5	0.38	46	1.81	64	2.50	11.0	0.44
1.1/2	44	1.75	64	2.50	11.0	0.44	48	1.88	76	3.00	12.5	0.50
2	48	1.88	76	3.00	12.5	0.50	51	2.00	92	3.62	16.0	0.62
2.1/2	60	2.38	92	3.62	16.0	0.62	64	2.50	108	4.25	19.0	0.75
3	65	2.56	108	4.25	19.0	0.75	68	2.69	127	5.00	22.0	0.88
4	68	2.69	140	5.50	22.0	0.88	75	2.94	159	6.25	28.5	1.12



## Reducing Couplings

3000 / 6000 Lbs

ANSI B 16.11



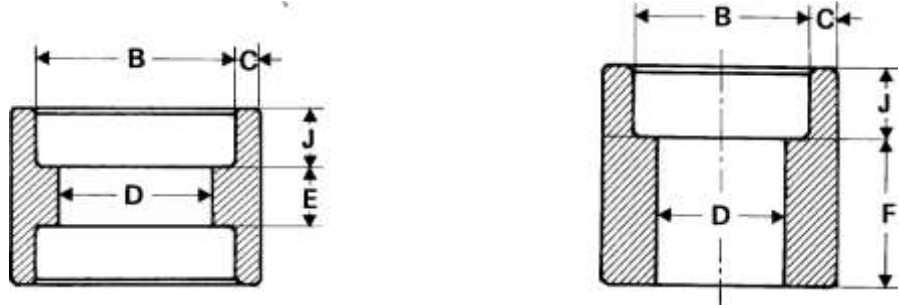
Nominal Pipe Size	3000				6000			
	W		D		W		D	
	mm	inches	mm	inches	mm	inches	mm	inches
3/8x1/4	38.10	1.50	22.35	0.88	38.10	1.50	31.75	1.25
1/2x3/8	47.75	1.88	28.45	1.12	47.75	1.88	38.10	1.50
1/2x1/4	47.75	1.88	28.45	1.12	47.75	1.88	38.10	1.50
3/4x1/2	50.80	2.00	35.05	1.38	50.80	2.00	44.45	1.75
3/4x1/4	50.80	2.00	35.05	1.38	50.80	2.00	44.45	1.75
1x3/4	60.45	2.38	44.45	1.75	60.45	2.38	57.15	2.25
1x1/2	60.45	2.38	44.45	1.75	60.45	2.38	57.15	2.25
1x1/4	60.45	2.38	44.45	1.75	60.45	2.38	57.15	2.25
1.1/4x1	66.55	2.62	57.15	2.25	66.55	2.62	63.50	2.50
1.1/2x1	79.25	3.12	63.50	2.50	79.25	3.12	76.20	3.00
1.1/2x3/4	79.25	3.12	63.50	2.50	79.25	3.12	76.20	3.00
1.1/2x1/2	79.25	3.12	63.50	2.50	79.25	3.12	76.20	3.00
2x1.1/2	85.85	3.38	76.20	3.00	85.85	3.38	91.95	3.62
2x1	85.85	3.38	76.20	3.00	85.85	3.38	91.95	3.62
2.1/2x2	91.95	3.62	91.95	3.62	91.95	3.62	107.95	4.25
3x2	107.95	4.25	107.95	4.25	107.95	4.25	127.00	5.00
4x3	120.65	4.75	139.70	5.50	120.65	4.75	158.75	6.25
4x2	120.65	4.75	139.70	5.50	120.65	4.75	158.75	6.25



## Full & Half Couplings

3000 / 6000 Lbs

ANSI B 16.11



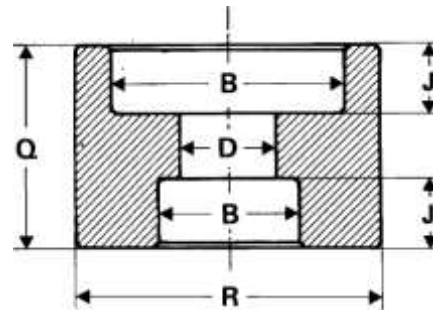
Nominal Pipe Size	Full Couplings - E						Half Couplings - F					
	3000		6000		Tol. +/-		3000		6000		Tol. +/-	
	mm	inches	mm	inches	mm	inches	mm	inches	mm	inches	mm	inches
1/4	6.5	0.25	6.5	0.25	1.5	0.06	16.0	0.62	16.0	0.62	1.0	0.03
3/8	6.0	0.25	6.0	0.25	3.0	0.12	17.5	0.69	17.5	0.69	1.5	0.06
1/2	9.5	0.38	9.5	0.38	3.5	0.12	22.5	0.88	22.5	0.88	1.5	0.06
3/4	9.5	0.38	9.5	0.38	3.5	0.12	23.5	0.94	23.5	0.94	1.5	0.06
1	13.0	0.50	13.0	0.50	4.0	0.16	29.0	1.12	29.0	1.12	2.0	0.08
1.1/4	13.0	0.50	13.0	0.50	4.0	0.16	30.0	1.19	30.0	1.19	2.0	0.08
1.1/2	13.0	0.50	13.0	0.50	4.0	0.16	32.0	1.25	32.0	1.25	2.0	0.08
2	19.0	0.75	19.0	0.75	4.0	0.16	41.0	1.62	41.0	1.62	2.0	0.08
2.1/2	19.0	0.75	19.0	0.75	5.0	0.20	42.5	1.69	42.5	1.69	2.5	0.10
3	19.0	0.75	19.0	0.75	5.0	0.20	44.5	1.75	44.5	1.75	2.5	0.10
4	19.0	0.75	19.0	0.75	5.0	0.20	47.5	1.88	47.5	1.88	2.5	0.10

Note: for other sizes see pag.178

## Reducing Couplings

3000 / 6000 Lbs

ANSI B 16.11



Nominal Pipe Size	3000				6000			
	Q		R		Q		R	
	mm	inches	mm	inches	mm	inches	mm	inches
3/8x1/4	25.4	1.00	24.9	0.98	25.4	1.00	26.7	1.05
1/2x3/8	28.7	1.13	31.0	1.22	28.7	1.13	33.0	1.30
1/2x1/4	28.7	1.13	31.0	1.22	28.7	1.13	33.0	1.30
3/4x1/2	35.0	1.38	36.0	1.42	35.0	1.38	40.1	1.58
3/4x1/4	35.0	1.38	36.0	1.42	35.0	1.38	40.1	1.58
1x3/4	38.1	1.50	45.2	1.78	38.1	1.50	50.0	1.97
1x1/2	38.1	1.50	45.2	1.78	38.1	1.50	50.0	1.97
1x1/4	38.1	1.50	45.2	1.78	38.1	1.50	50.0	1.97
1.1/4x1	38.1	1.50	55.1	2.17	38.1	1.50	57.9	2.28
1.1/2x1	38.1	1.50	60.0	2.36	38.1	1.50	65.0	2.56
1.1/2x3/4	38.1	1.50	60.0	2.36	38.1	1.50	65.0	2.56
1.1/2x1/2	38.1	1.50	60.0	2.36	38.1	1.50	65.0	2.56
2x1.1/2	51.3	2.02	74.9	2.95	51.3	2.02	82.0	3.23
2x1	51.3	2.02	74.9	2.95	51.3	2.02	82.0	3.23